

Part number

MAP 06 LS32



Brief description:

surface mounting housings with single lever, size "44.27", metal cover, M32, metal version, IP65

Product description

Version	metal version
Series	surface mounting housings with single lever
Product type	with 1 lever
Variant	metal cover
Style	high construction
Family	CLASS enclosures
Size	size "44.27"

Technical data

Material	metal
IP degree of protection	IP65
Cable entry	M32

Further technical details

Weight	375,00 g
--------	----------

Approvals / Standards

Quality mark	 (type:4/4X/12),  , EAC
Conformity	CQC, CE

General ordering information

EAN13 code	8015747051002
Tariff number	85369095

Packaging Information

Packaging length	475,00 mm
Packaging height	210,00 mm
Packaging width	140,00 mm
Packaging weight	3,75 kg
Packaging volume	13,97 dm ³
Packaging description	Carton box
Packaging quantity	10 Pcs
Packaging EAN code	8015747232449
Sub-packaging weight	1,88 kg
Sub-packaging description	Plastic pakaging
Sub-packaging quantity	5 Pcs
Sub-packaging EAN barcode	8015747051019

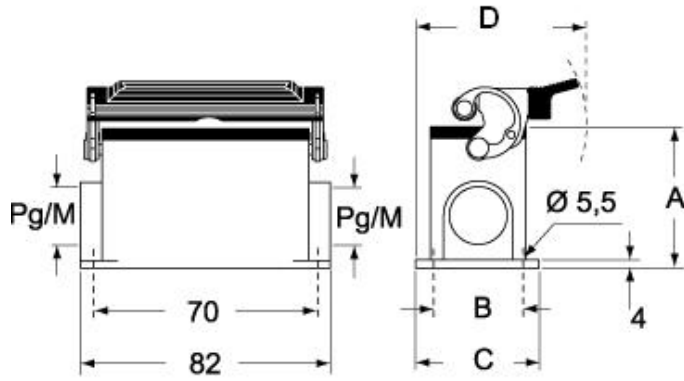
Part number

MAP 06 LS32



Catalogue drawings

CHP L CAP L - MHP L MAP L



CHP LS CAP LS - MHP LS MAP LS

